

CHECK or ask which experiment title is ASSIGNED to YOU !

SONAR Experiment Wiring Set up (Arduino program separate file)

FLEX Experiment Wiring Set up (Arduino program separate file)

SERVO Experiment Wiring Set up (Arduino program separate file)

CHECK THE WEBSITE for these Arduino program files

SONAR/Distance Experiment

USE ULTRA SONIC !

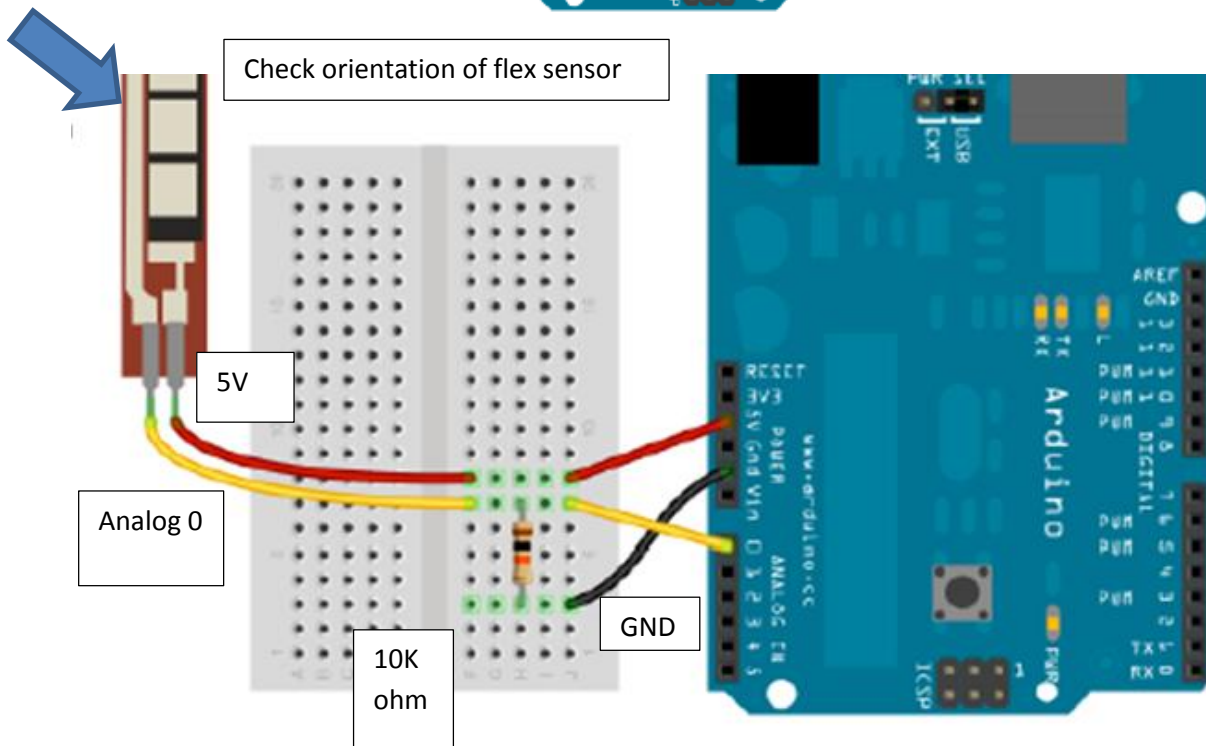
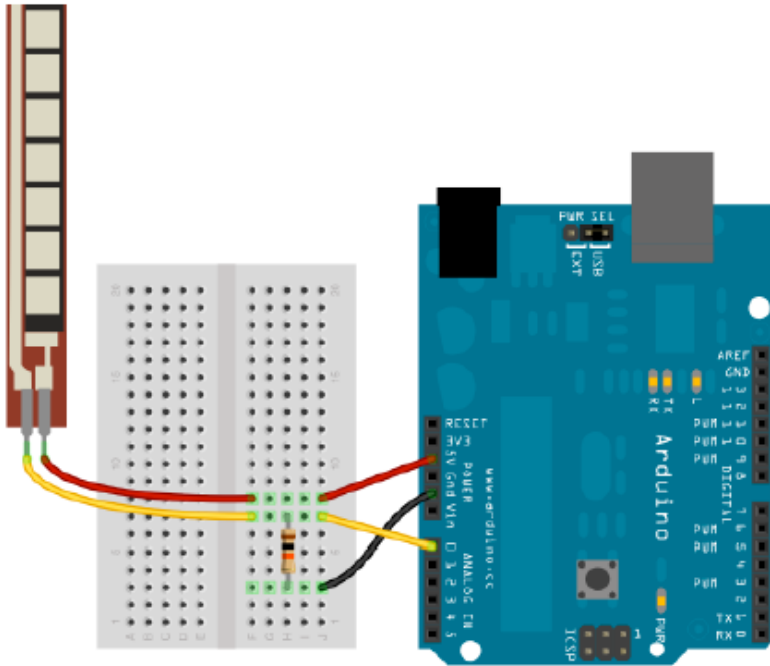
HC SRO4

SEE other file (again in the website)

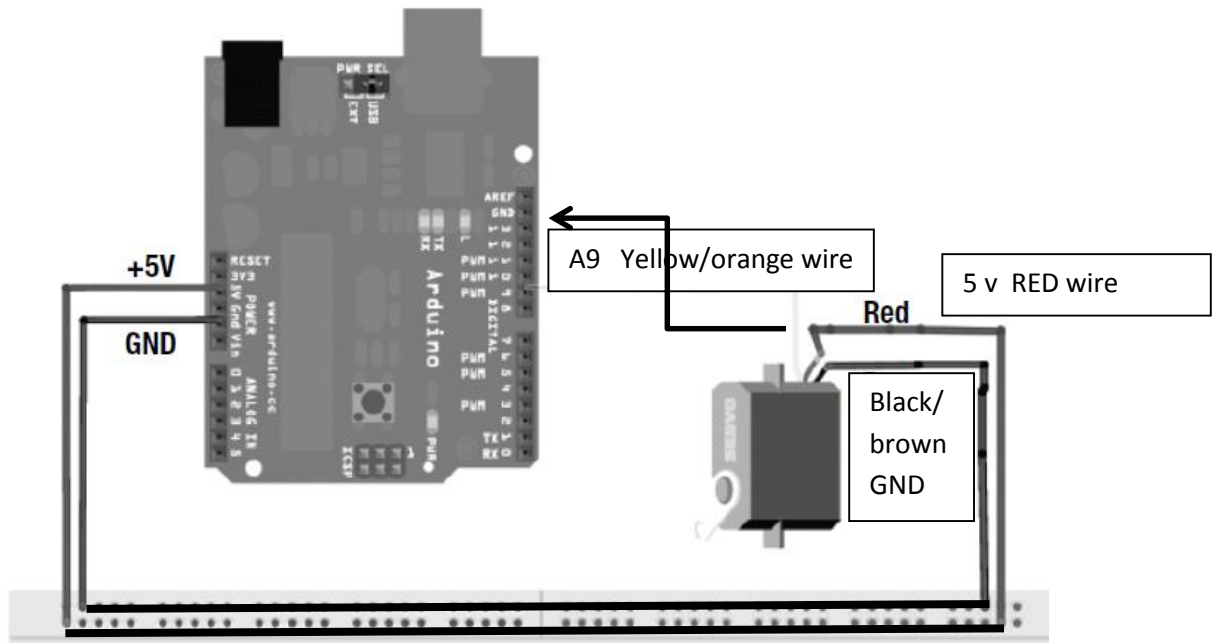
Sensors: Flex Sensor

Component List

- Flex sensor
- 10k resistor



MOTION CONTROL WITH AN ARDUINO: SERVO AND STEPPER MOTOR CONTROLS



Wiring Set up for Stepper or Servo motor

Connect the servo to the breadboard using either a row of three header pins or three jump wires.

Check the color may vary according to the servo unit.

Connect the red (wire) socket to the 5V row,

the black /or brown (wire) socket to the GND row, and

the white/yellow/ or orange (wire) socket to pin 9 on the Arduino.