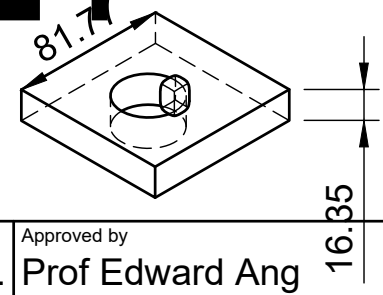
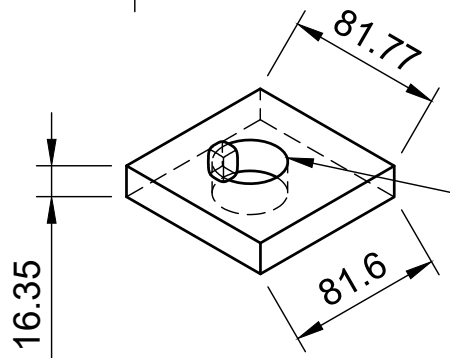
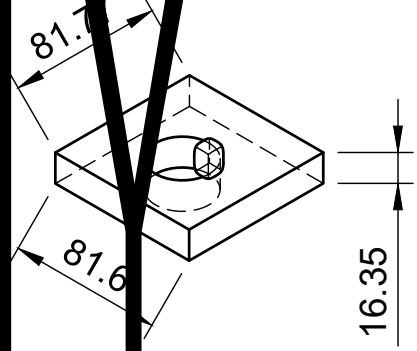
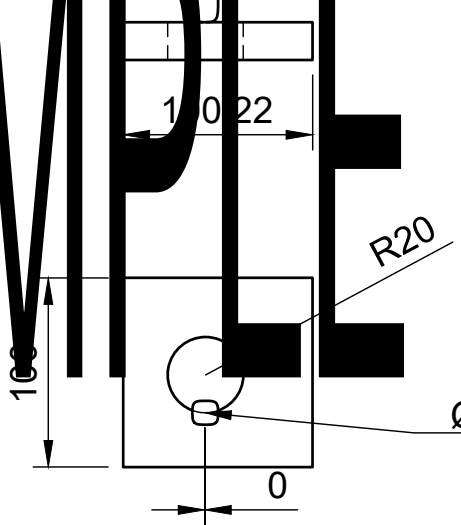


SAMPLE ONLY



Dept. SMME	Technical reference Fusion 360	Created by YOUR student name	Approved by Prof Edward Ang	
SUBJECT? and CODE? and SECTION?	Document type DRAWING		Document status For Approval	
	Title Your assigned plate and #???		DWG No. plate#	
Rev. 1	Date of issue date submitted	Sheet 1/1		